



## Masterlift 2.35 NxT Saav & NxT TR Saav

Electro-hydraulic twin-ram lift, 3.5 t  
with adjustable swivel arms

NxT Generation

NxT Generation - Inground lifts

The highlights of the Masterlift 2.35 NxT Saav & NxT TR Saav:

- Swivel arms: easy to adjust and set
- Ø140 mm cylinder: strong, low-maintenance, durable
- Arm locking system: protected and finely adjustable
- Control: modern, reliable, intuitive operation

An all-round talent when the going gets tough!

## What's underneath should excite you just as much as what's on it.

### Masterlift 2.35 NxT Saav & NxT TR Saav:

The double telescopic swivel arms convince with an **unconventional lifting area**, especially suitable for off-road vehicles and vans. The superstructure is easily adjustable by means of a ball-bearing mounted sliding part on a cross-beam, for maximum flexibility.

The **internal arm locking system** installed as standard reliably protects against external influences.

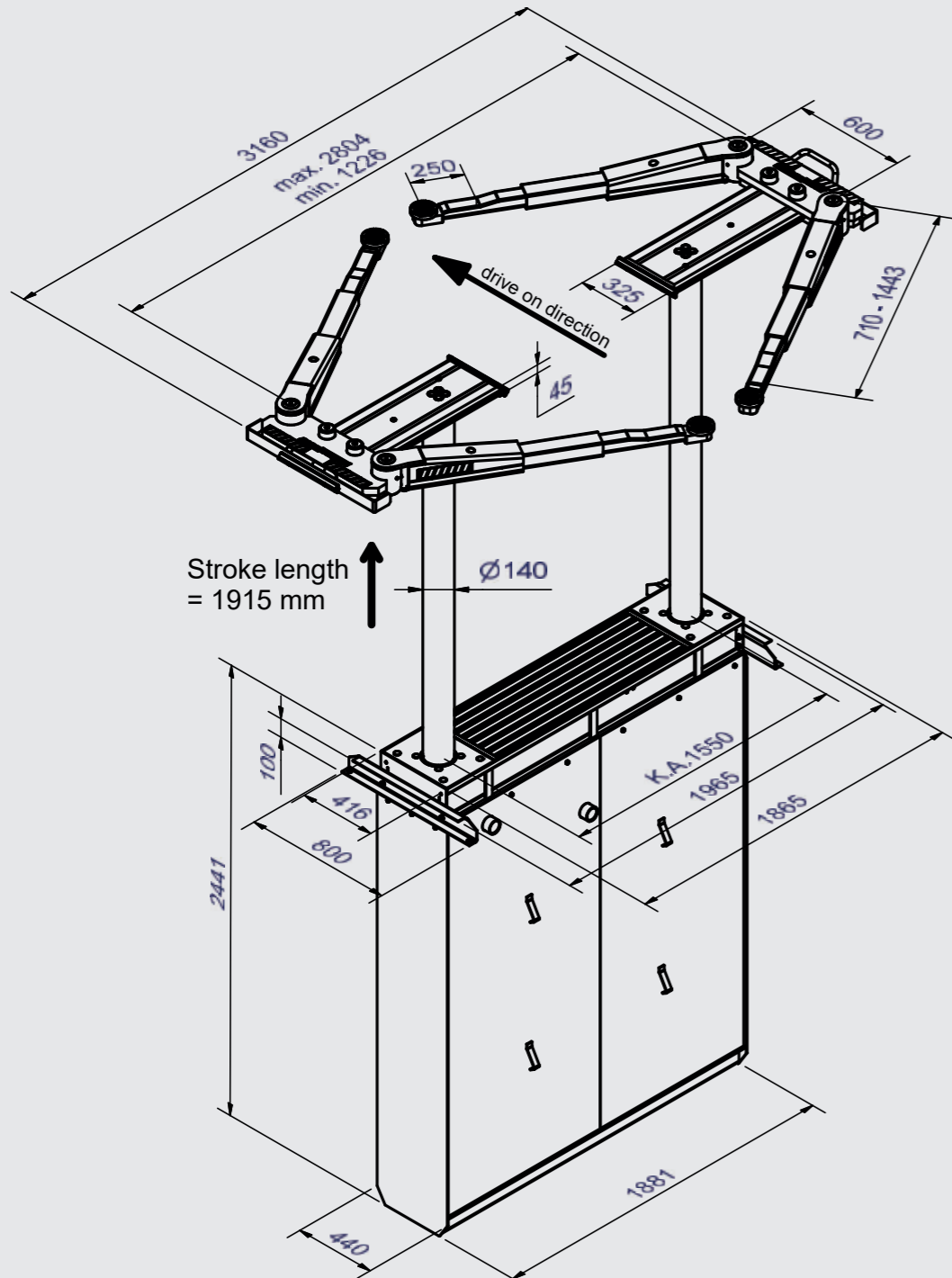
The **strong 140 mm diameter cylinders** are also designed for long-lasting functionality and further round off the high quality level, which ensures **low maintenance requirements**.

Even in the event of a power blackout, the lift can still be lowered without any problems thanks to the pneumatic emergency lowering system. The Masterlift 2.35 NxT Saav & NxT TR Saav are perfectly completed by a **control system that is both visually and technically convincing**.

Recommended by leading car manufacturers

# Masterlift 2.35 NxT Saav VAN

Electro-hydraulic twin-ram lift, 3.5 t  
with adjustable swivel arms  
Synchronisation and safety via synchronisation bar



Illustrations are not binding and optional. Under reserve of dimensional, constructional and technical modifications! Validity 07/2024



# Masterlift 2.35 NxT Saav VAN

## Technical data

Lifting capacity	3500 kg
Stroke length	1915 mm
Working height	Sport: 1993 - 2025 mm Universal: 2010 - 2089 mm
Cylinder diameter	2 x 140 mm
Cylinder distance	1550 mm
Lifting / lowering time	~ 30 sec.
Foundation depth	2640 mm
Pump unit	3.0 kW
Hydraulic fluid	10 l
Voltage	230/400 V / 50 Hz / 16 A

### Standard colour:

- Chassis: RAL 7016
- Arms: RAL 3020 - optionally with KTL coating

### Optional extras:

- Wide range of extra pads, depending on vehicle type
- Wheel support devices
- Active cassette ventilation
- Moisture monitoring in the steel cassette
- Special colours

### Variants:

- Self-supporting design, without load on the bottom of the cassette
- Floor-standing design

## Arm superstructure

Total width	3160 mm
Lifting pad included in the delivery	Uni: 16007   95 - 174 mm Sport: 16006   78 - 110 mm
Min. height	Uni: 95 - 174 mm Sport: 78 - 110 mm + 50 mm height extension
Arm length, min. - max.	710 - 1443 mm
Arm insertion height	55 mm

### Installation variants:

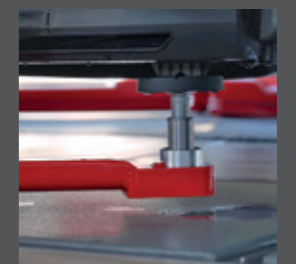
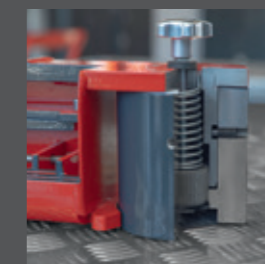
- On-floor installation
- Ceiling installation

### Frame:

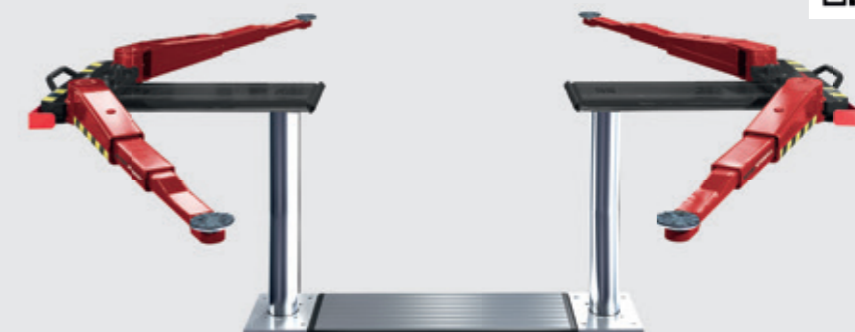
- Standard: completely hot-dip galvanized

### Sub-casing:

- Standard: painted
- Optional: hot-dip galvanized or plastic-coated

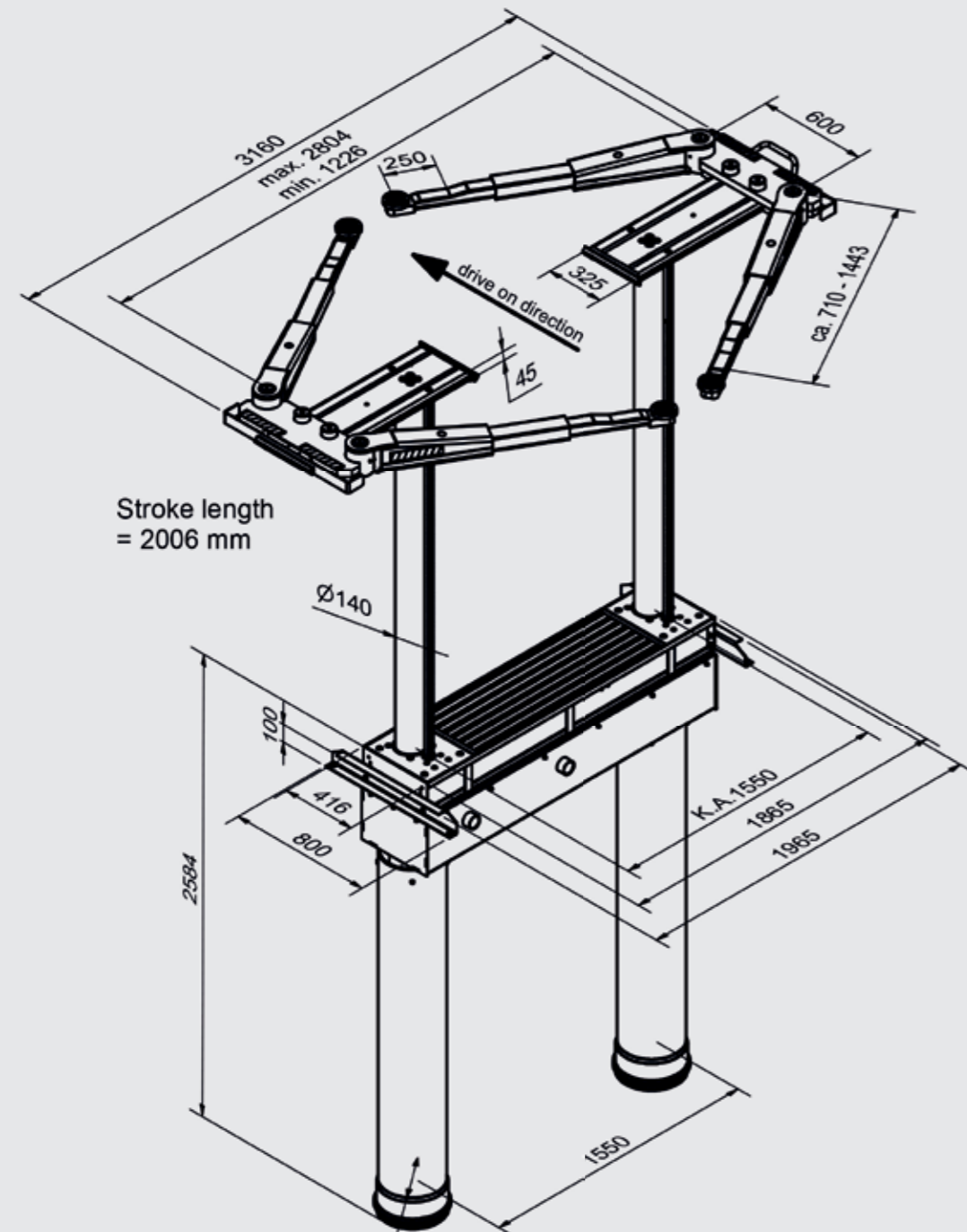


[www.autopstenhoj.com](http://www.autopstenhoj.com)



# Masterlift 2.35 NxT TR Saav VAN

Electro-hydraulic twin-ram lift, 3.5 t  
with adjustable swivel arms  
Synchronisation and safety via toothed rack and cardan shaft



Illustrations are not binding and optional. Under reserve of dimensional, constructional and technical modifications! Validity 07/2024

# Masterlift 2.35 NxT TR Saav VAN

## Technical data

Lifting capacity	3500 kg
Stroke length	2006 mm
Working height	Sport: 2084 - 2116 mm Universal: 2101 - 2180 mm
Cylinder diameter	2 x 140 mm
Cylinder distance	1550 mm
Lifting / lowering time	~ 30 sec.
Foundation depth	800 mm
Pump unit	3.0 kW
Hydraulic fluid	10 l
Voltage	230/400 V / 50 Hz / 16 A

### Standard colour:

- Chassis: RAL 7016
- Arms: RAL 3020 - optionally with KTL coating

### Optional extras:

- Wide range of extra pads, depending on vehicle type
- Wheel support devices
- Special colours

### Standard:

- Basically self-supporting design

## Arm superstructure

Total width	3160 mm
Lifting pad included in the delivery	Uni: 16007   95 - 174 mm Sport: 16006   78 - 110 mm
Min. height	Uni: 95 - 174 mm Sport: 78 - 110 mm + 50 mm height extension
Arm length, min. - max.	710 - 1443 mm
Arm insertion height	55 mm

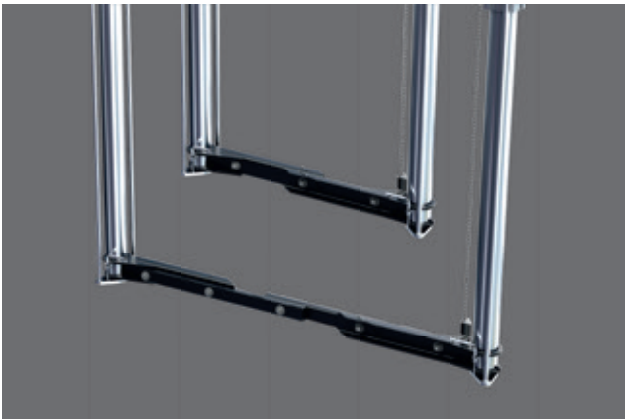
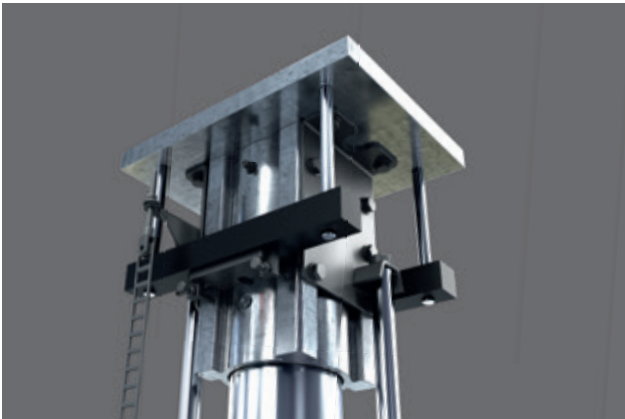
### Installation variants:

- On-floor installation
- Ceiling installation

### Frame:

- Standard: completely hot-dip galvanized
- Incl. tube connection frame





## And even more highlights: Inground technology reinvented!

With the **NxT Generation** inground lifts from AUTOPSTENHOJ you experience quality at the very highest level! We have made the best even better for you!

**NxT Generation inground lifts:** Flexible in installation and operation, also adaptable to possible, changing requirements in the future, due to our smart clamping system.

Synchronisation takes place either via a synchronisation bar or alternatively via a toothed rack. We achieve maximum stability through strong 140 mm cylinders and through our new aluminium guidance made of anodised solid material. With the new cassette cover, even strong forces acting on the cover during battery removal, for example, are safely absorbed.

The complete, sophisticated system gets by with only 10 litres of hydraulic fluid, thanks to proven high-pressure technology. Those who have the environment in mind should not disregard this fact.

The **NxT Generation inground lift** is suitable for all installation variants and thus, of course, also for self-supporting installation. The **NxT Generation inground lifts** are also always a good choice for replacement campaigns or retrofitting in third-party cassettes.

**NxT Generation: Patented, flexible, modular**

