

UPLIFTING COMPANY

AUTOP **STENHOJ**



Major 4.40 & 4.55

Electro-hydraulic 4-post lift with 4.0 or 5.5 t capacity

**VERTICAL
POWER**

NxT Generation - Surface-mounted lifts



The highlights of the Major 4.40 & 4.55:

- Comfortable working height of 2.0 m
- Strongest and most stable platform profile on the market
- WL version with extremely smooth-running sliding plates
- Optionally with one or two scissor jacks
- Optionally with second control unit

Strong, stable, ergonomic!

Efficiency and safety on 4 columns, for the highest demands.

Major 4.40 & 4.55:

The Major 4.40 & 4.55 platform lifts come with a strong 4.0 t and 5.5 t lifting capacity respectively.

The Major 4.xx lifts impress with a **comfortable working height of 2.0 m** and therefore fully meet the current requirements for workplace ergonomics.

The height-adjusted, bent platform profile and the higher material thickness make the platforms in the Major 4.xx series one of the **strongest and most stable platforms on the market.**

The **platform structure of the WL version is only 50 mm thick** and has **ball-bearing sliding plates** at the rear of the platform, which are characterised by **extremely smooth running and a low breaking moment.**

The Major 4.xx series is **available in many different platform lengths and versions** and therefore fulfils all market requirements.

Major 4.40 & 4.55

Technical data

	Major 4.40	Major 4.55
Lifting capacity	4000 kg	5500 kg
Stroke length	44 = 1690 mm 48 = 1850 mm 51 = 1850 mm	1820 mm
Working height	S 44 = 1840 mm S 48 = 2000 mm WL 48 = 2050 mm S 51 = 2000 mm WL 51 = 2050 mm	S = 2030 mm WL = 2080 mm
Lifting / lowering time	24/26 Sek.	44/40 Sek.
Pump unit	3 kW	3 kW
Voltage	3x230/400 V - 50 Hz - 25/16 A	3x230/400 V - 50 Hz - 25/16 A

Platforms

Length	44 = 5490 mm 48 = 5890 mm 51 = 6190	6765 mm
Usable platform length	44 = 4400 mm 48 = 4800 mm 51 = 5100 mm	5500 mm
Wheelbase, max	51 S: max. 4600 mm 51 WL: min. 2100 mm, max. 4100 mm	55 S: 4600 mm 55 WL: min. 2100 mm, max. 4100 mm
Platform width	550 mm	650
Distance between platforms	750 - 990 mm	700 - 1140 mm
Drive-on height	S = 160 mm WL = 210 mm	S = 190 mm WL = 240 mm
Width between posts	44 = 2600 mm 48 = 2600 / 3000 mm 51 = 3000 mm	3000 mm
Total width - outer edges base plates	26 = 3032 mm 30 = 3420 mm	3432 mm
Total height	2445 mm	2445 mm

Major 4.40 & 4.55

Electro-hydraulic 4-post lift with 4.0 or 5.5 t capacity

Standard colour:

- Platforms and posts: RAL 7016
- Ramps: RAL 3020

Optional extras:

- Set of expansion bolts
- Second control unit
- LED lightning set
- Pneumatic locking of the sliding plates
- Up to two scissor jacks, optionally fully hydraulic
- Different ramps
- Platform extension

Versions:

- Available with different voltages
- Drive-on ramps and stops for on-floor installation as well as for recessed installation available
- S = Flush platforms
- WL = with filling pieces for flexible positioning of turn tables in front, and rear side ball bearing mounted slip plates, center cover plate between filling pieces and side slip plates
- G = galvanized platforms

Major 4.40 - Platform lengths: 4,40 m | 4,80 m | 5,10 m

Major 4.55 - Platform lengths: 5,50 m

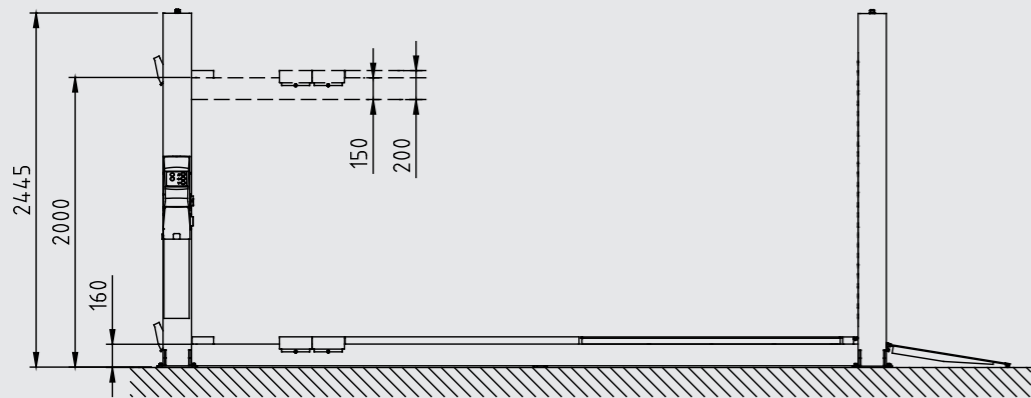
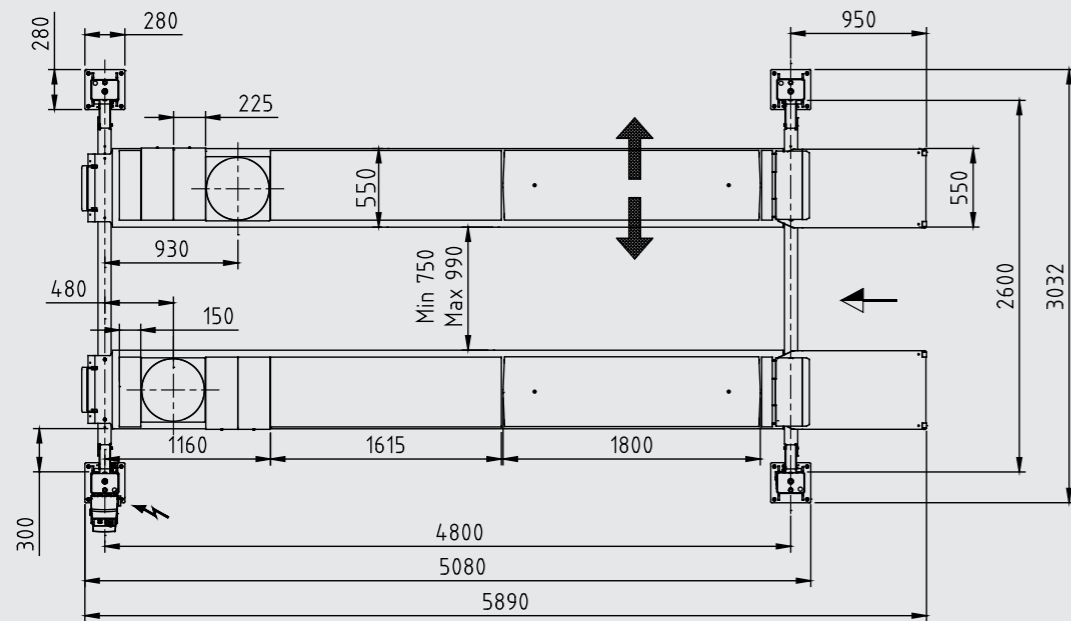
Major 4.40 - Width between posts: 2,60 m | 3,0 m

Major 4.55 - Width between posts: 3,0 m



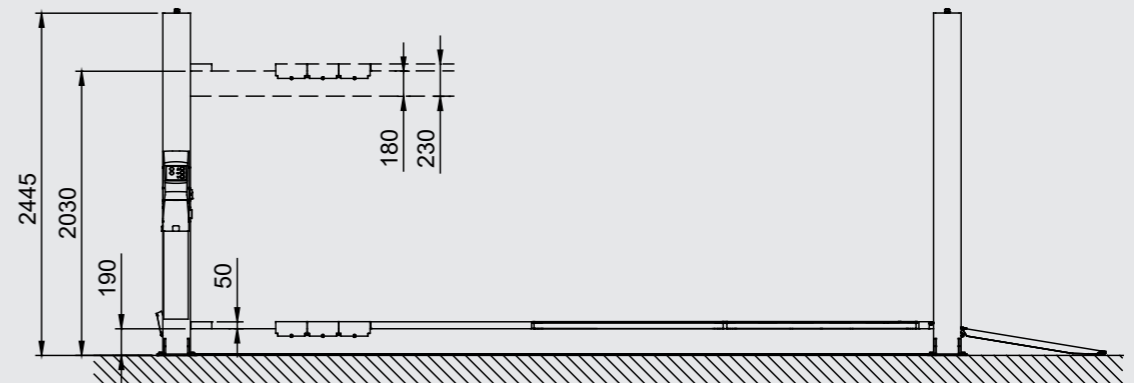
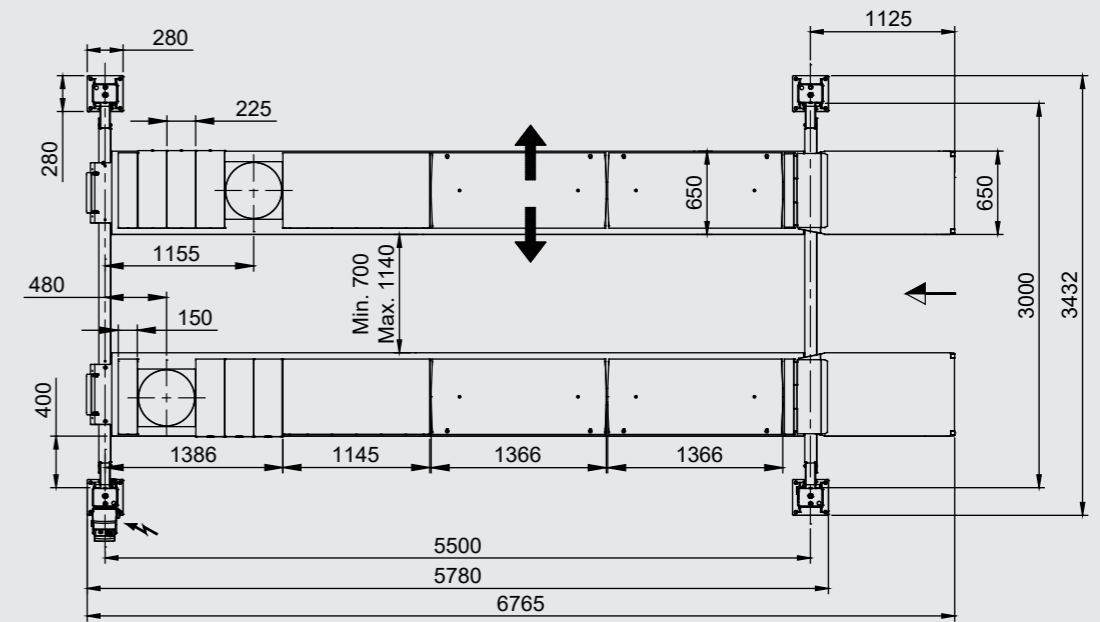
Major 4.40

Electro-hydraulic 4-post lift with 4.0 t capacity

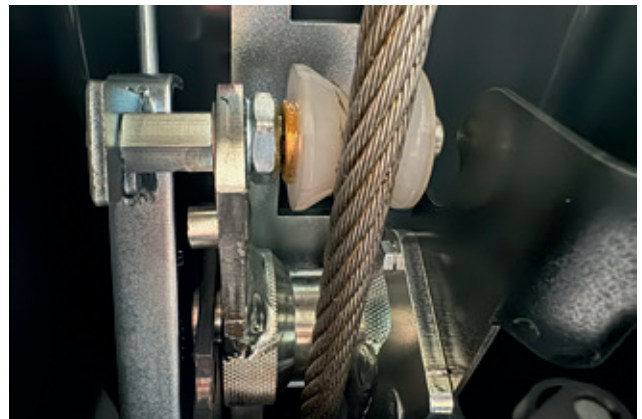
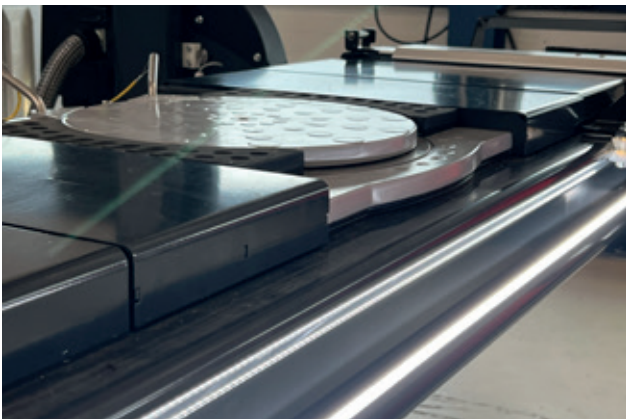
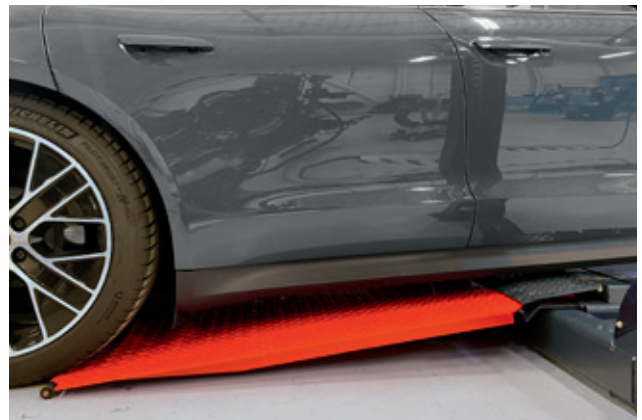
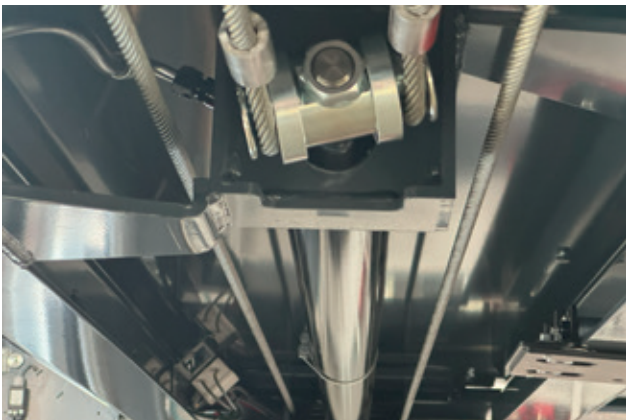
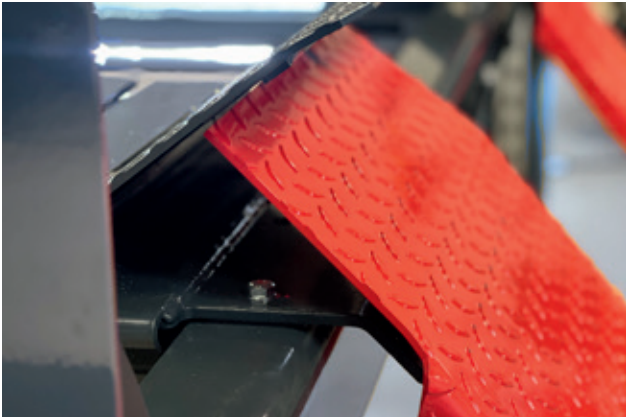


Major 4.55

Electro-hydraulic 4-post lift with 5.5 t capacity



Major 4.40 & 4.55



www.autopstenhoj.com

AUTOPSTENHOJ GmbH
Sandkampstr. 90 | 48432 Rheine
☎ +49 5971 8602-02
✉ info@autopstenhoj.com

AUTOPSTENHOJ GmbH
Barrit Langgade 188-190 | DK-7150 Barrit
☎ +45 76 82 13 30
✉ info@autopstenhoj.com