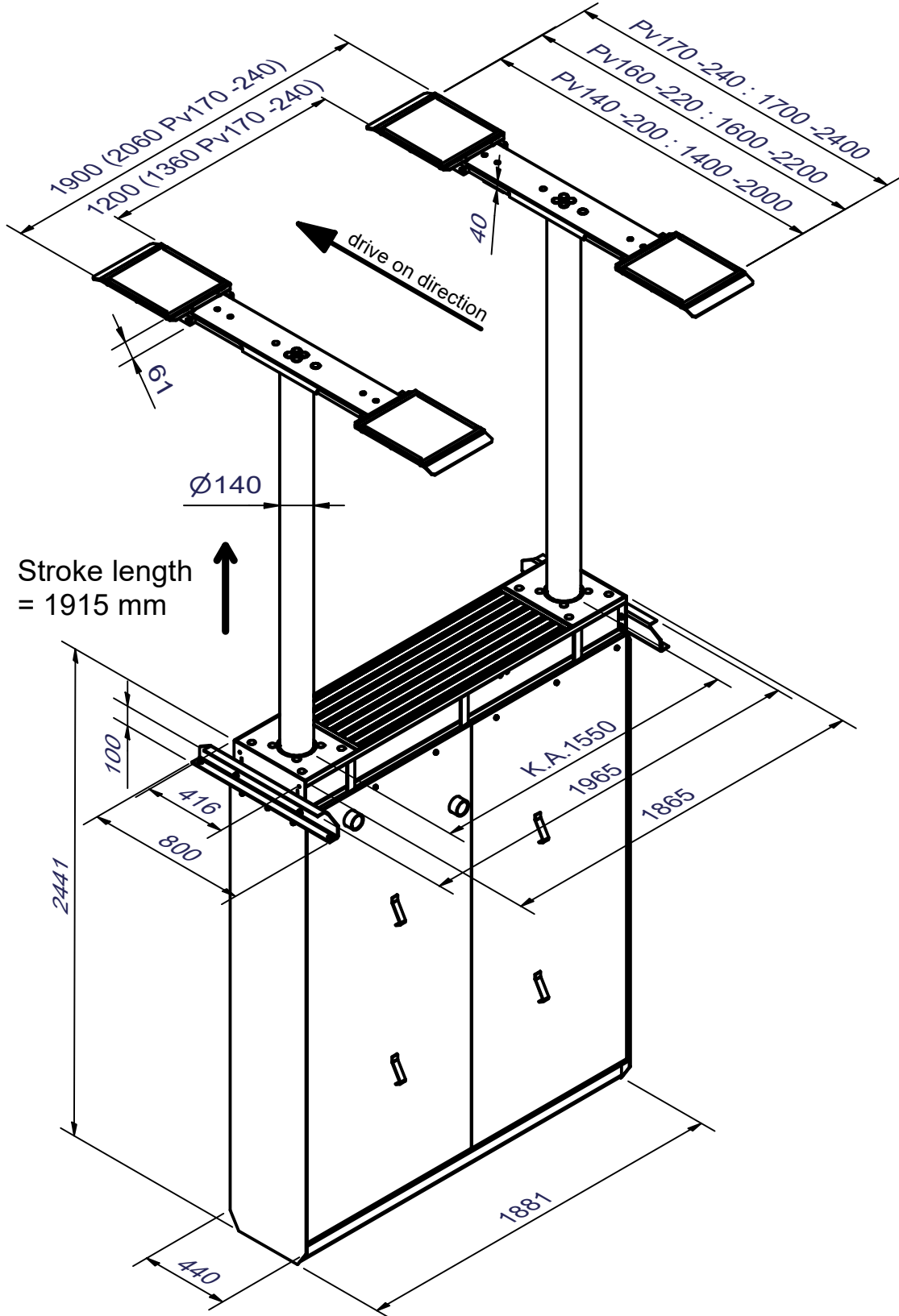


# AUTOP **STENHOJ**

## Masterlift 2.35 NxT Pv



Dimensional sketch including drive-over heights