



AXLE STANDS

AB1,5 / AB3



Capacity: 1,5 - 3,0 t

Standard axle stands

Suitable for more or less all types of vehicles i.e. passenger cars, trucks, buses, agricultural and contractors' machinery

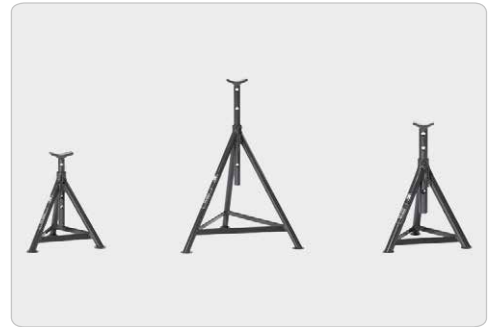
Adjustable in several heights (5-6 positions)

Robust construction ensures maximum stability and long life

WARNING :

Always use axle stands to support the vehicle before working under it

No person shall remain in, on or under a load that is being jacked or is supported only by a jack



AB5 / AB8



Capacity: 5,0 - 8,0 t

Standard axle stands

Suitable for more or less all types of vehicles i.e. passenger cars, trucks, buses, agricultural and contractors' machinery

Adjustable in several heights (5-6 positions)

Robust construction ensures maximum stability and long life

WARNING :

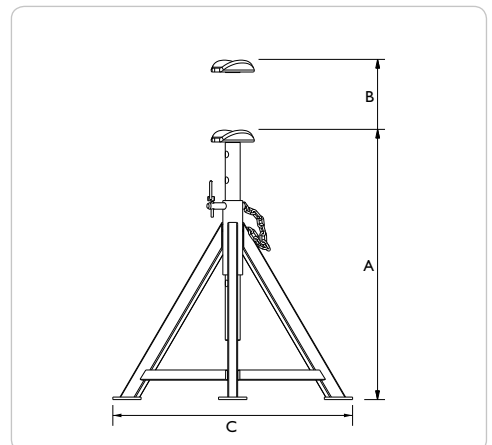
Always use axle stands to support the vehicle before working under it

No person shall remain in, on or under a load that is being jacked or is supported only by a jack



	AB 1,5-260	AB 1,5-420	AB 3-320	AB 5-365	AB 8-310	AB 8-360	AB 8-580
Capacity	1,5 t	1,5 t	3,0 t	5,0 t	8,0 t	8,0 t	8,0 t
Min. height (A)	260 mm	420 mm	320 mm	365 mm	310 mm	360 mm	580 mm
Max. height (B)	450 mm	750 mm	430 mm	590 mm	480 mm	590 mm	950 mm
Width (C)	270 mm	430 mm	310 mm	370 mm	300 mm	400 mm	600 mm
Positions	5	5	5	5	4	5	6
Net weight	2,2 kg	4,8 kg	3,1 kg	4,8 kg	6,5 kg	8,1 kg	11,4 kg

All dimensions are to the upper saddle edge





AXLE STANDS

ABS5 / ABS12



Capacity: 5,0 / 12,0 t

Axle stands with spindle extension

User friendly axle stand – the spindle extension offers a quick and precise adjustment of the height
Suitable for more or less all types of vehicles

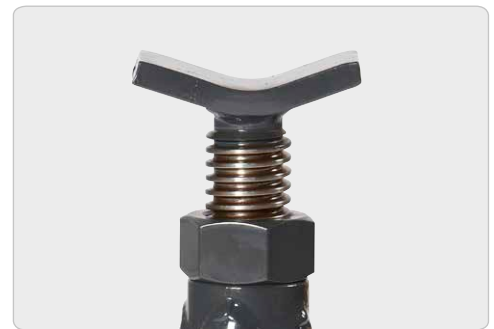
Model ABS5-230 is especially suitable for vehicles with low clearance e.g. buses, fork lift trucks and flat trailers

Robust construction ensures maximum stability and long life

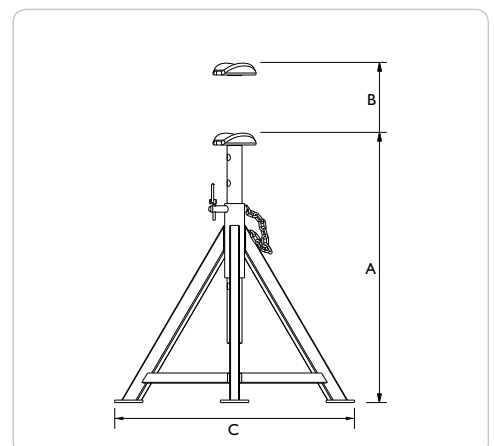
WARNING :

Always use axle stands to support the vehicle before working under it

No person shall remain in, on or under a load that is being jacked or is supported only by a jack



	ABS 5-230	ABS 12-320	ABS 12-450
Capacity	5,0 t	12,0 t	12,0 t
Min. height (A)	230 mm	320 mm	450 mm
Max. height (B)	320 mm	485 mm	725 mm
Width (C)	250 mm	300 mm	420 mm
Positions	spindle	spindle	spindle
Net weight	3,9 kg	10,8 kg	15,2 kg
<i>All dimensions are to the upper saddle edge</i>			





AXLE STANDS

AB16



Capacity: 16,0 t

Axle stands for the heavy lifting jobs

Suitable for exceptionally heavy vehicles, e.g. large trucks, contractor's machinery, military vehicles etc.
Adjustable in several heights (3-6 positions)
Robust construction ensures maximum stability and long life



WARNING :

Always use axle stands to support the vehicle before working under it

No person shall remain in, on or under a load that is being jacked or is supported only by a jack



ABS8



Capacity: 8,0 t

Extra high axle stands

Especially for supporting vehicles lifted by mobile columns or in-ground lifts
The spindle extension offer a quick and precise adjustment of the height
Strong transport wheels for easy and precise manoeuvring
Robust construction ensures maximum stability and long life



WARNING :

Always use axle stands to support the vehicle before working under it

No person shall remain in, on or under a load that is being jacked or is supported only by a jack



	AB 16-290	AB 16-440	AB 16-675	ABS 8-950	ABS 8-1400
Capacity	16,0 t	16,0 t	16,0 t	8,0 t	8,0 t
Min. height (A)	290 mm	440 mm	675 mm	950 mm	1400 mm
Max. height (B)	455 mm	725 mm	1125 mm	1550 mm	2000 mm
Width (C)	310 mm	460 mm	550 mm	650 mm	880 mm
Positions	3	5	7	spindle	spindle
Net weight	13,0 kg	20,0 kg	31,0 kg	52,4 kg	68,0 kg
All dimensions are to the upper saddle edge					

