



HYDRAULIC 2-POST LIFT

POWER LIFT HL 2.50 NT

THE FAST CLASS

WITH PATENTED
HyperFlow®
technology

WITH
TECHNOLOGY



**THE FAST 2-POST LIFT FOR SMALL, LARGE,
LONG, LIGHT AND HEAVY VEHICLES**

- ✓ Very low maintenance: no synchronization cables, no pulleys, no de-aeration
- ✓ NT and patented HyperFlow® Technologies: 100% hydraulic, 100% safe
- ✓ Selection of carrying arms to pick up a wide range of vehicles

5000 KG

HYDRAULIC 2-POST LIFT

POWER LIFT HL 2.50 NT

Comfort and speed

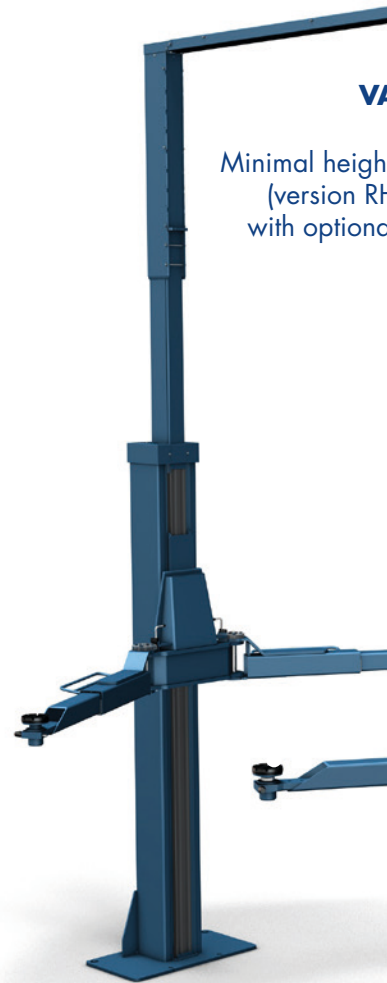
The POWER LIFT HL 2.50 NT features NUSSBAUM's NT and patented HyperFlow® technology: The exceptionally fast lifting time as well as the low maintenance (no cables, no pulleys) will save you time and money. These technologies also guarantee maximum safety. A top quality lift for a safe and efficient workshop!

Flexible

- ✓ No floor connection
- ✓ No static connection between the columns: Adjustable in width (+200 mm) and height, flexible height extension from +200 up to +900 mm can be provided

Practical design

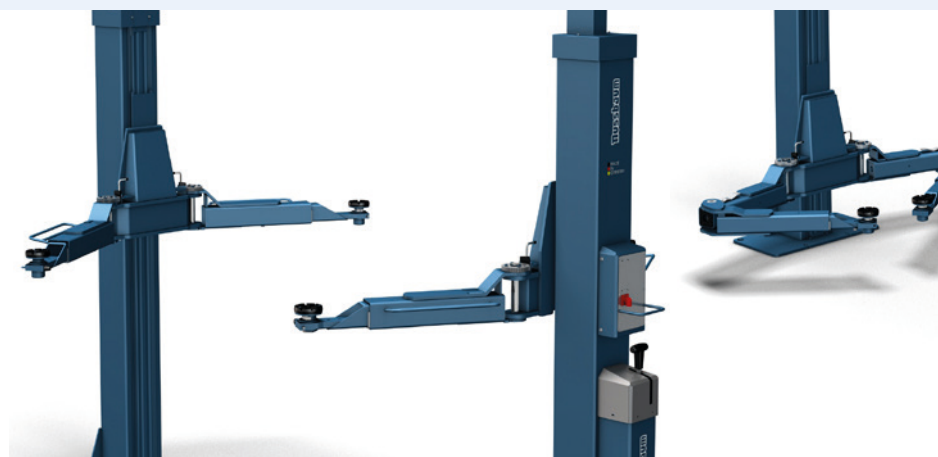
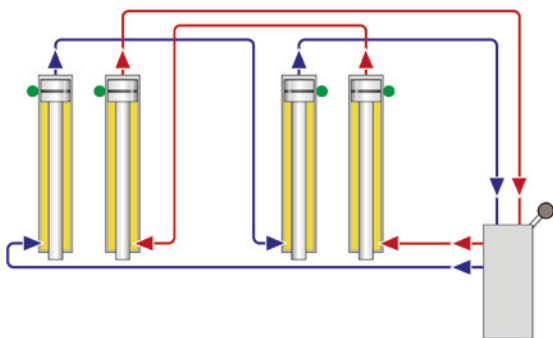
- ✓ Precise control with NUSSBAUM commander and lockable main switch. Adjustable lowering speed
- ✓ Oil submerged motor: long lasting and quiet
- ✓ The 4 pulling cylinders are well protected: No risk of damage
- ✓ Compressed air and electric outlet (220V) integrated in the column



PRECISE POSITIONING

Smooth operation and variable lowering speed thanks to our NUSSBAUM

POWER LIFT HL 2.50 NT: YOUR BEST ALLY TO LIFT A WIDE RANGE OF VEHICLES



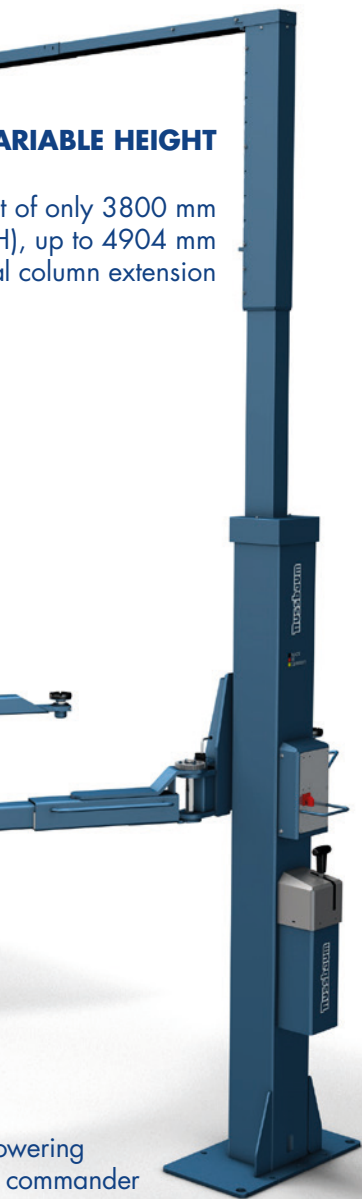
NT Technology and HyperFlow®: 4 cylinders, 100% hydraulic with automatic synchronization

Symmetric lifting arms

Double-jointed (DG) lifting arms



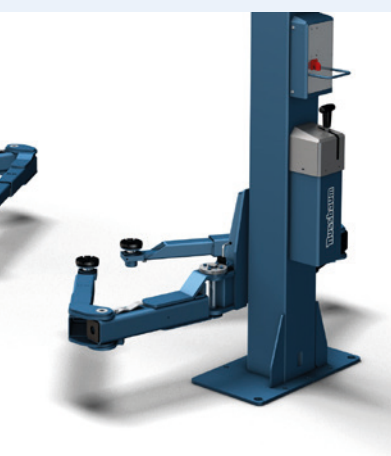
RECOMMENDED BY
MERCEDES BENZ*



VARIABLE HEIGHT

Height of only 3800 mm
(up to 4904 mm
with column extension)

Powering
commander



Different versions suited to your needs

– Symmetric lifting arms

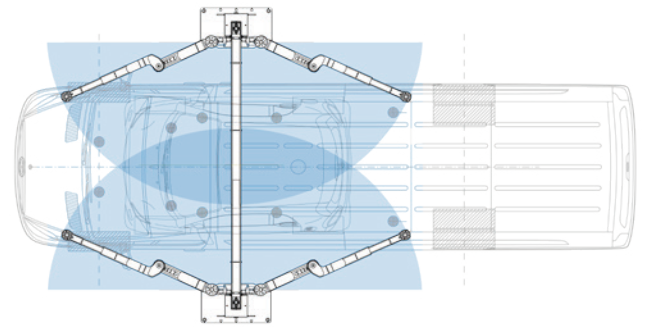
3 stage, symmetric lifting arms especially designed for SUVs and vans with long wheelbase

– Symmetric double-jointed arms (DG)

Symmetric carrying arms with 2 joints. With the DG arms you will have two lifts in one. The DG design allows to lift any type and size of vehicle, from very small cars to long transporters

POWER LIFT HL 2.50 NT
with DG arms

Covers all vehicles from short wheelbase SMART or BMW MINI to long wheelbase Mercedes Benz SPRINTER or Volkswagen CRAFTER



HyperFlow®
INSIDE

FAST, FASTER, HL NT

- **Lifting and lowering time** 31 seconds / 15 seconds
- **Low electricity consumption**
- **NT technology:** 4 cylinders and 2 independent hydraulic circuits
- **HyperFlow® technology:** Automatic purging of the hydraulic system, automatic synchronization of the arms in the highest position
- **Less moving parts, less maintenance**



MEASURED FOR SUCCESS

ACCESSORIES

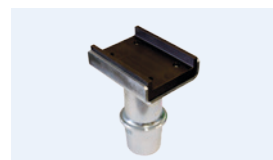
POWER LIFT HL NT	2.50
Lifting capacity (kg)	5000
Lifting/lowering time approx. (sec)	31/15
Lifting height (mm) Version DG	2055
Version Symmetric	2067
Lowest lifting point (mm) Version DG	120-195
Version Symmetric	130-205
Total height (mm)	4020
Total height with optional extension (mm)	4109-4865
Total recommended width (mm)	3750
Column distance (mm)	3090
Arm-extraction long (mm) Version DG	0-1825
Version Symmetric	860-1850
Power supply (V/Hz)	400/50/16



Height adapter round



Adapter for Mercedes SPRINTER



Adapter U-form for Mercedes-Sprinter



Lashing straps (2 units)



Drill holder



Drive-on tables (4 units)

More accessories available

Techn. changes and errors excepted. | Valid from 05 2017 © Otto Nussbaum GmbH & Co. KG | Korker Strasse 24 | 77694 Kehl-Bodersweiler | Germany
Tel.: +49 (0) 7853 899 - 0 | Fax: +49 (0) 7853 8787 | info@nussbaum-group.de | nussbaum-group.de