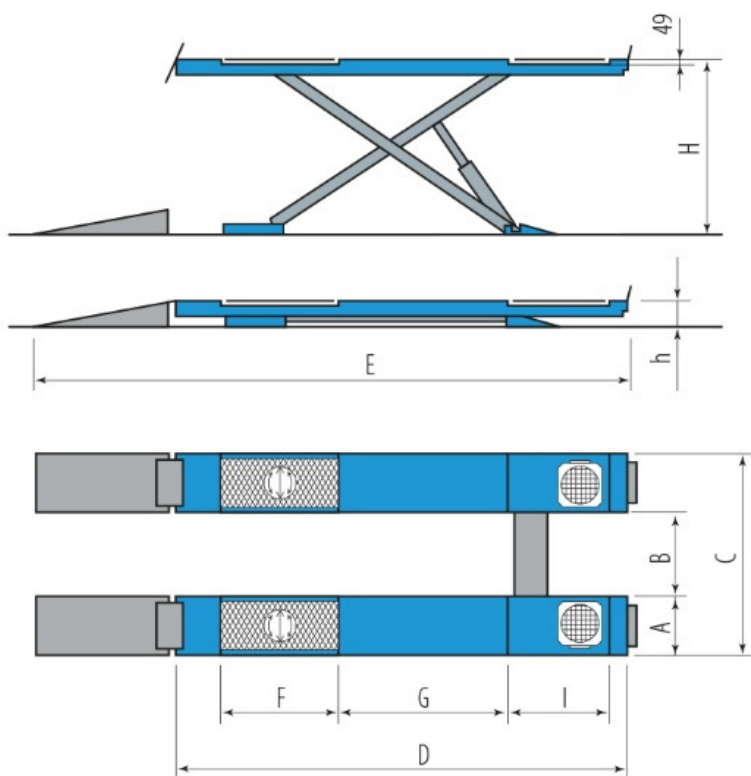


## Ravaglioli 600 series dlouhé nůžky – details

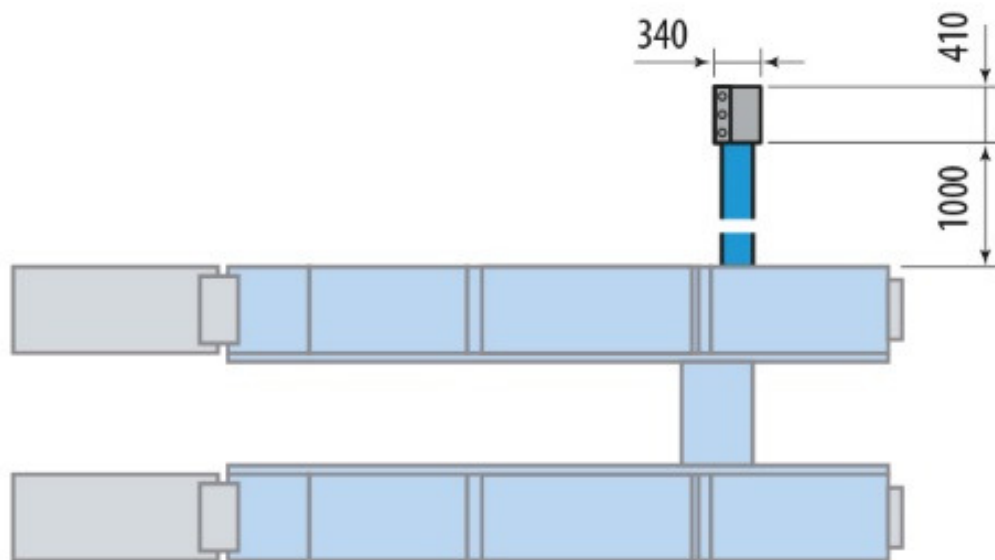
### Provedení pro geometrii



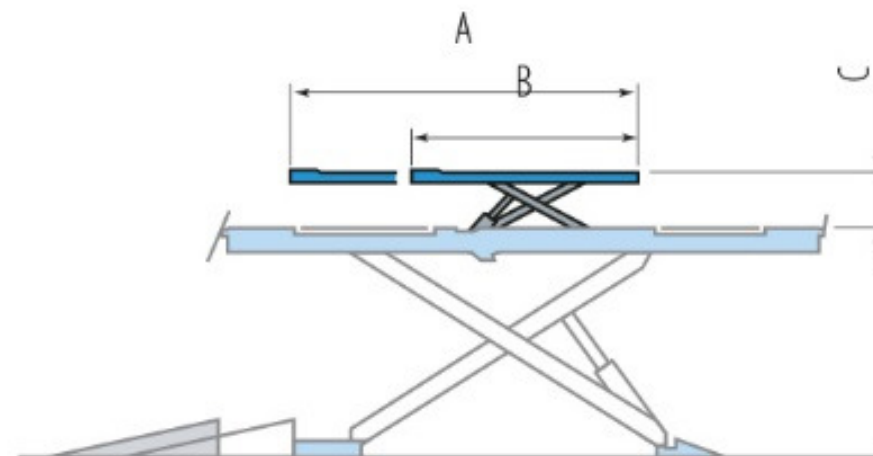
|                  | Portata<br>Capacity<br>Tragfähigkeit | Motore<br>Motor<br>Motor | A   | B   | C    | D           | E    | F    | G    | I    | h   | H    |      |
|------------------|--------------------------------------|--------------------------|-----|-----|------|-------------|------|------|------|------|-----|------|------|
|                  | kg                                   | kW                       | mm  | mm  | mm   | mm          | mm   | mm   | mm   | mm   | mm  | mm   |      |
| RAV 635.2        | <b>3500</b>                          | 2,6                      | 615 | 870 | 2100 | <b>4600</b> | 6110 | 1740 | 1764 | 825  | 265 | 1850 |      |
| RAV 635.2 I      |                                      |                          |     |     |      |             | x    |      |      |      |     | 2085 |      |
| RAV 635.2 SI     |                                      | 3,5                      |     |     |      |             | 6130 |      |      |      |     | 295  | 1880 |
| RAV 635.2 ISI    |                                      |                          |     |     |      |             | x    |      |      |      |     | 2115 |      |
| RAV 640.2        | <b>4200</b>                          | 2,6                      | 615 | 870 | 2100 | <b>4600</b> | 6110 | 1740 | 1764 | 825  | 265 | 1850 |      |
| RAV 640.2 I      |                                      |                          |     |     |      |             | x    |      |      |      |     | 2085 |      |
| RAV 640.2 SI     |                                      | 3,5                      |     |     |      |             | 6130 |      |      |      |     | 295  | 1880 |
| RAV 640.2 ISI    |                                      |                          |     |     |      |             | x    |      |      |      |     | 2115 |      |
| RAV 650.2.55     | <b>5000</b>                          | 2,6                      | 615 | 870 | 2100 | <b>5500</b> | 7010 | 1740 | 1764 | 1525 | 270 | 1850 |      |
| RAV 650.2.55 I   |                                      |                          |     |     |      |             | x    |      |      |      |     | 2085 |      |
| RAV 650.2.55 SI  |                                      | 3,5                      |     |     |      |             | 7030 |      |      |      |     | 300  | 1880 |
| RAV 650.2.55 ISI |                                      |                          |     |     |      |             | x    |      |      |      |     | 2115 |      |
| RAV 660.2.55     | <b>6000</b>                          | 2,6                      | 615 | 870 | 2100 | <b>5500</b> | 7010 | 1740 | 1764 | 1525 | 270 | 1885 |      |
| RAV 660.2.55 I   |                                      |                          |     |     |      |             | x    |      |      |      |     | 2085 |      |
| RAV 660.2.55 SI  |                                      | 3,5                      |     |     |      |             | 7030 |      |      |      |     | 300  | 1885 |
| RAV 660.2.55 ISI |                                      |                          |     |     |      |             | x    |      |      |      |     | 2115 |      |

Ravaglioli 600 series dlouhé nůžky – details

Provedení s nůžkovým přízdvihem za prahy



|                | Portata SI<br>SI capacity<br>SI-Tragfähigkeit | A    | B    | C   |
|----------------|---|------|------|-----|
|                | kg  | mm   | mm   | mm  |
| SERIE 635 SI   | 3500  | 2000 | 1390 | 500 |
| SERIE 640 SI   |   |      |      |     |
| SERIE 640.55SI | 4000  | 2100 |      | 480 |
| SERIE 650.55SI |   |      |      |     |
| SERIE 660.55SI |   |      |      |     |



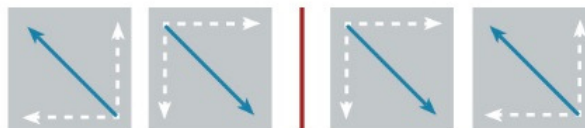
## Ravaglioli 600 series dlouhé nůžky – details

### Provedení pro geometrie s testerem vůlí

|                  | Portata<br>Capacity<br>Tragfähigkeit | A           | B    | C    | I    | h    | H    |
|------------------|--------------------------------------|-------------|------|------|------|------|------|
|                  | kg                                   | mm          | mm   | mm   | mm   | mm   | mm   |
| RAV 640.3.46     | <b>4200</b>                          | <b>4600</b> | 6110 | 1280 | 900  | 265  | 1850 |
| RAV 640.3.46 I   |                                      |             | x    |      |      | 2085 |      |
| RAV 640.3.46 SI  |                                      |             | 6130 |      |      | 295  | 1880 |
| RAV 640.3.46 ISI |                                      |             | x    |      |      | 2115 |      |
| RAV 640.5.55     | <b>4200</b>                          | <b>5500</b> | 7010 | 1740 | 1525 | 265  | 1850 |
| RAV 640.5.55 I   |                                      |             | x    |      |      | 2085 |      |
| RAV 640.5.55 SI  |                                      |             | 7030 |      |      | 295  | 1880 |
| RAV 640.5.55 ISI |                                      |             | x    |      |      | 2115 |      |
| RAV 650.5.55     | <b>5000</b>                          | <b>5500</b> | 7010 | 1740 | 1525 | 265  | 1850 |
| RAV 650.5.55 I   |                                      |             | x    |      |      | 2085 |      |
| RAV 650.5.55 SI  |                                      |             | 7030 |      |      | 295  | 1880 |
| RAV 650.5.55 ISI |                                      |             | x    |      |      | 2115 |      |
| RAV 660.5.55     | <b>6000</b>                          | <b>5500</b> | 7010 | 1740 | 1525 | 270  | 1885 |
| RAV 660.5.55 I   |                                      |             | x    |      |      | 2085 |      |
| RAV 660.5.55 SI  |                                      |             | 7030 |      |      | 300  | 1885 |
| RAV 660.5.55 ISI |                                      |             | x    |      |      | 2115 |      |

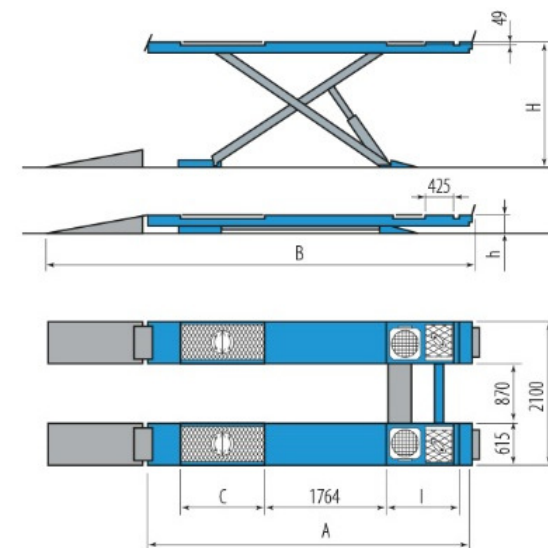
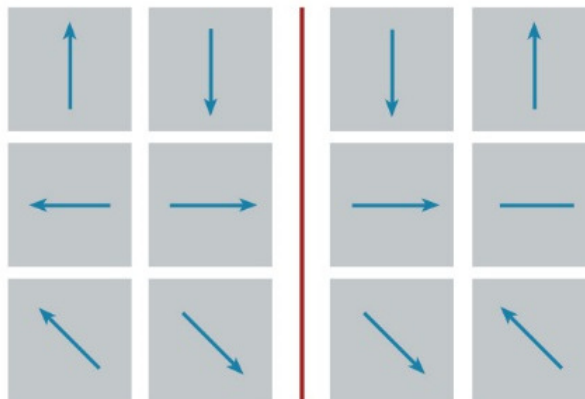
Provagiocchi a 4 movimenti  
4 movement play detector  
4 Bewegungen Gelenkspieltester

} RAV 635.4  
} RAV 640.3  
} RAV 640.4



Provagiocchi a 8+4 movimenti  
8+4 movement play detector  
8+4 Bewegungen Gelenkspieltester

} RAV 650.5  
} RAV 650.6



## Ravaglioli 600 series dlouhé nůžky – details

### Provedení s rovnými plošinami a testerem vůlí

|                  | Portata<br>Capacity<br>Tragfähigkeit | A           | B    | h   | H    |
|------------------|--------------------------------------|-------------|------|-----|------|
|                  | kg                                   | mm          | mm   | mm  | mm   |
| RAV 635.4        | <b>3500</b>                          | <b>4600</b> | 6110 | 265 | 1850 |
| RAV 635.4 I      |                                      |             | x    |     | 2085 |
| RAV 635.4 SI     |                                      |             | 6130 | 295 | 1880 |
| RAV 635.4 ISI    |                                      |             | x    |     | 2115 |
| RAV 640.4.46     | <b>4200</b>                          | <b>4600</b> | 6110 | 265 | 1850 |
| RAV 640.4.46 I   |                                      |             | x    |     | 2085 |
| RAV 640.4.46 SI  |                                      |             | 6130 | 295 | 1880 |
| RAV 640.4.46 ISI |                                      |             | x    |     | 2115 |
| RAV 640.6.55     | <b>4200</b>                          | <b>5500</b> | 7010 | 265 | 1850 |
| RAV 640.6.55 I   |                                      |             | x    |     | 2085 |
| RAV 640.6.55 SI  |                                      |             | 7030 | 295 | 1880 |
| RAV 640.6.55 ISI |                                      |             | x    |     | 2115 |
| RAV 650.6.55     | <b>5000</b>                          | <b>5500</b> | 7010 | 265 | 1850 |
| RAV 650.6.55 I   |                                      |             | x    |     | 2085 |
| RAV 650.6.55 SI  |                                      |             | 7030 | 295 | 1880 |
| RAV 650.6.55 ISI |                                      |             | x    |     | 2115 |
| RAV 660.6.55     | <b>6000</b>                          | <b>5500</b> | 7010 | 270 | 1855 |
| RAV 660.6.55 I   |                                      |             | x    |     | 2085 |
| RAV 660.6.55 SI  |                                      |             | 7030 | 300 | 1885 |
| RAV 660.6.55 ISI |                                      |             | x    |     | 2115 |

